

KUBOTA COMPACT TELEHANDLER KTH4815-2



Engine output (kW):
37

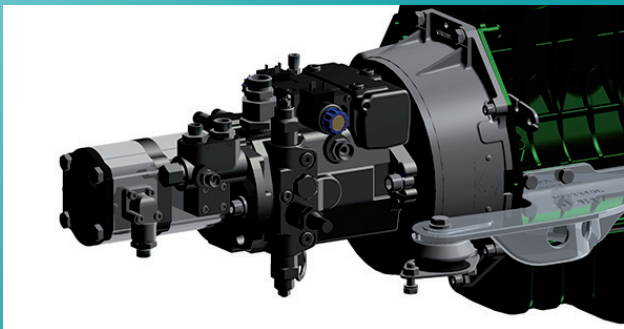
Machine weight (kg):
2950

VERSATILE AND CON

The new Kubota KTH4815-2 telehandler is a versatile machine developed to work in small spaces. With its spacious cabin but compact size the KTH4815-2 can operate in a wide range of work spaces with all the comfort for the driver. From farms over greenery services to material handling and industry, this machine is a multipurpose tool carrier that can handle heavy loads while also being manoeuvrable in tight spaces. The new Kubota KTH4815-2 can lift a load of 1.4 ton at 4.8 meters high which makes it unique in its category.

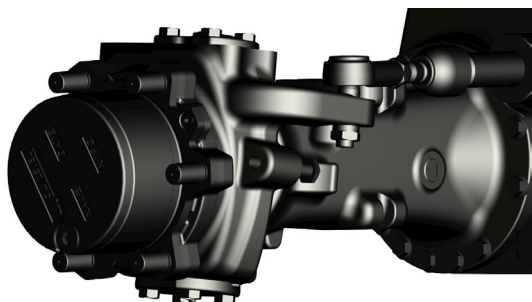
HYDROSTATIC TRANSMISSION (HST)

The hydrostatic transmission is equipped with an high performance pump which guarantees an efficient transmission of the power to the wheels. The transmission is a permanent 4 WD for maximum traction force. With its two travel speed reaching 25 km/hr and its inching pedal, the KTH4815-2 responds to all kinds of working conditions.



HEAVY DUTY CHASSIS

The KUBOTA KTH4815-2 is fitted with two heavy duty 8 tons capacity axles and heavy planetary end drive to insure good traction power, stability and handling of heavy loads. The differential lock on the front axle (option) is switchable on demand.

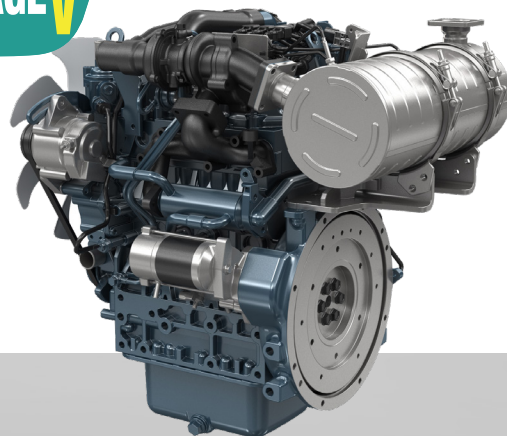


MPACT

STAGE V

KUBOTA ORIGINAL ENGINE : POWERFUL, EFFICIENT AND LOW EMISSION

KUBOTA engine is known for its reliability and durability. It is strong and powerful with respect for the environment especially for noise and emissions.

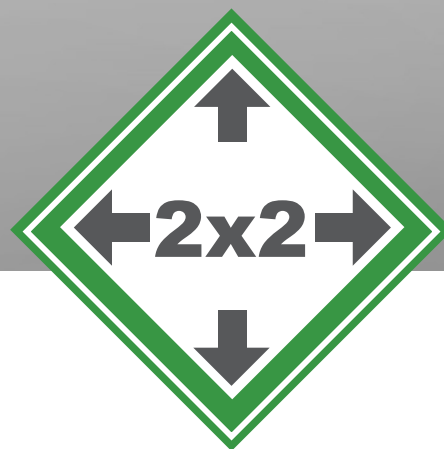


Engine output

KTH4815-2: 37kW

COMPACTNESS

The Kubota KTH4815-2 is very compact. With a width and height under 2 meters it can be used in narrow spaces such as old building, parking lots, etc ...



DAILY MAINTENANCE

The bonnet can be widely open which ease the access to all major components such as oil check, radiator, air filter, battery, etc ... Exhaust pipe is also directed to the top, better working conditions in dusty environments.



COMFORT/PERFORMANCE MAINTENANCE

The driver position of the KTH4815-2 is designed around the driver. All buttons and switches are easily reachable. The comfortable driver's seat has 2 armrests for optimal support during long work days. The optional closed cabin has a heater, radio and 4 working lights.

DASHBOARD

The dashboard gives the driver an easy overview over all important information as well as a diagram of lifting capacity. The user can concentrate fully on the job at hand.

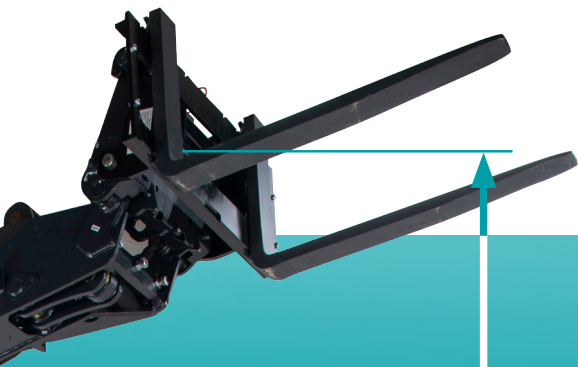


MULTI-FUNCTION OPERATING LEVER AND STEERING COLUMN

The standard joystick is well equipped with all the necessary buttons to operate the machine in total comfort. The driver can switch the driving mode and the speed by fingertip. But also extend the boom and switch between functions with the same hand while never having to let go of the steering wheel with the other hand. The steering column is also adjustable and allows the operator to work in optimal conditions.



PERFORMANCE

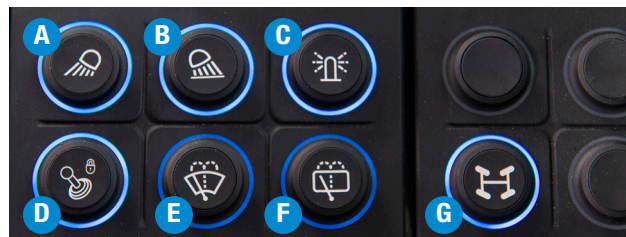


4800 mm



TOUCHPAD

- A. Worklights front**
- B. Worklights back**
- C. Rotating beacon**
- D. Joystick lock**
- E. Spray windshield**
- F. Spray back window**
- G. 2 wheel steer**



SPACIOUS CABIN

The KTH4815-2 has a spacious, quiet cabin with a large bended windshield, this gives good visibility. The driver has a 360° view. If more visibility is wanted extra mirrors are available in option.

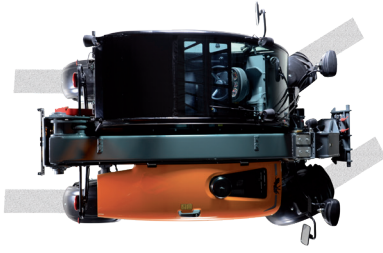


VENTILATION HEATING

To keep the driver warm during working in the cold, the KTH4815-2 has an extensive ventilation heating. 3 outlets above the dashboard keep the windows and the driver warm while 1 on the bottom keeps the drivers feet warm. This keeps the KTH4815-2 comfortable even during the coldest months.

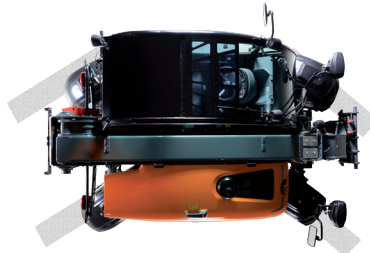


Steering mode



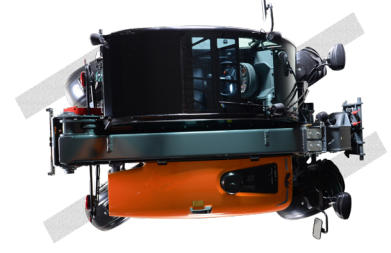
TWO-WHEEL STEERING

Makes it possible to drive steady and steer accurately. Ideal for long distance travel.



FOUR-WHEEL STEERING

Very manoeuvrable in smaller areas due to the small turning radius.

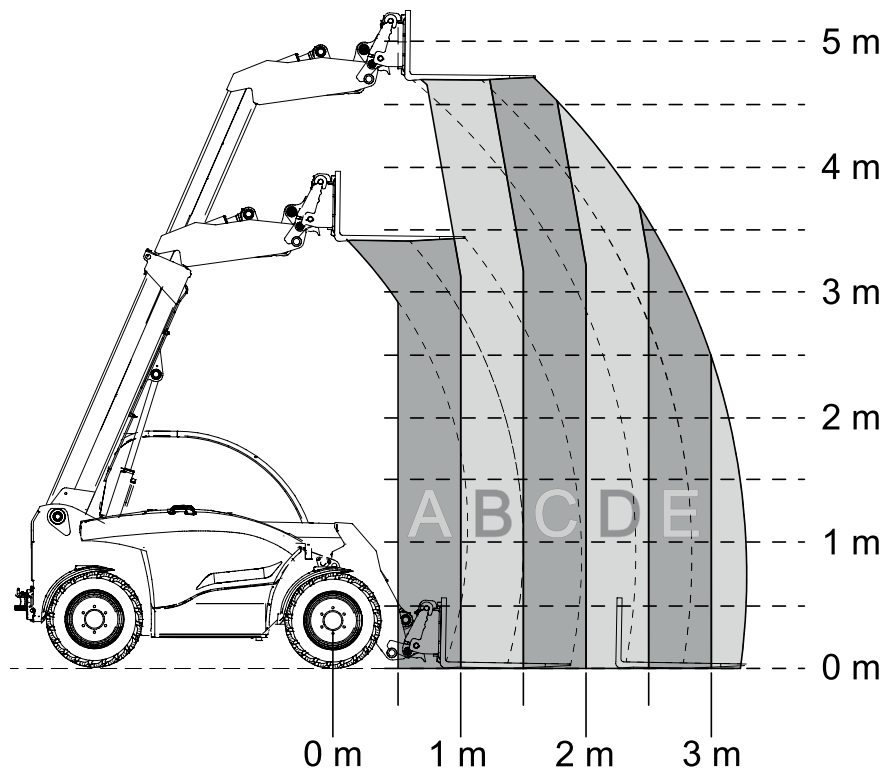


CRAB STEER

Easy to drive closely to the wall.

Lifting chart

Model		KTH4815-2				
Standard version		A	B	C	D	E
Tipping load	kg	2490	1670	1255	700	585
Lifting capacity	kg	1735	1165	900	395	330
With counterweight (option)		A	B	C	D	E
Tipping load	kg	2870	1925	1445	855	710
Lifting capacity	kg	2115	1420	1090	550	460



Kubota Genuine and Approved Parts
for maximum performance, durability and safety

Specifications and equipment

Model	KTH4815-2
Engine/Fuel system	
KUBOTA original engine (Stage V)	●
Cyclone filter	●
Oil cooler	●
Travel system	
Hydrostatic 4 wheel drive with automotive control	●
Travel speed 0-7km/h 0-25km/h	●
Hydraulic multidisk brake	●
Electric differential lock on front axle	☆
Four wheel steer	●
Hydraulic system	
Hydraulic quick coupler	●
Multi function joystick	●
Lever behind joystick for AUX control (mechanical control)	●
Inching and brake pedal (left)	●
Extra Electric/Hydraulic controlled AUX line	☆
Safety valves	●
Driving position	
Weight-adjustable seat with arm rests and back rest	●
Seatbelt	●
tilt steering column	●
Air suspended seat	☆

● Standard equipment □ Standard canopy ★ Standard cabin ☆ Deluxe cabin

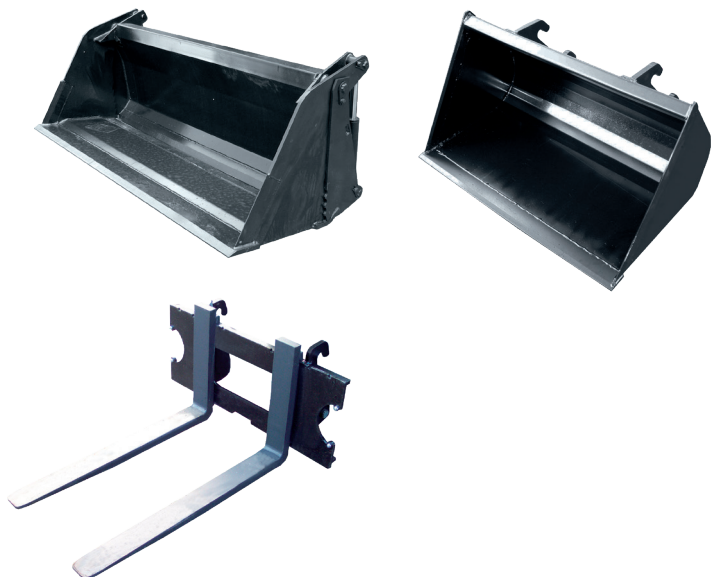
Model	KTH4815-2
Canopy (cabin without door on the left side)	
ROPS (Roll-over Protective Structure)/	●
FOPS (Falling Object Protective Structure)	
Cabin	
ROPS (Roll-over Protective Structure)/	☆★
FOPS (Falling Object Protective Structure)	
Heating, FM/AM radio and speakers, safety door (L), 2 side mirrors (L+R), 2 working lights (halogen) front, 1 working light (halogen) rear, interior decoration	
Air conditioning	☆
Lighting	
Working light on lifting arm	●
Flashing warning light LED	●
Traffic lights LED	☆★
Other	
Two wheel and crab steering	☆
Reverse buzzer	●
Counterweight 170 kg with integrated towing hook	☆★□
Reversible fan	☆
Licence plate holder with illumination	☆★

*For further information consult your local dealer.

Accessories

QUICK COUPLER

KTH4815-2 is equipped with hydraulic quick coupler for easy and fast change of attachments.



Specifications

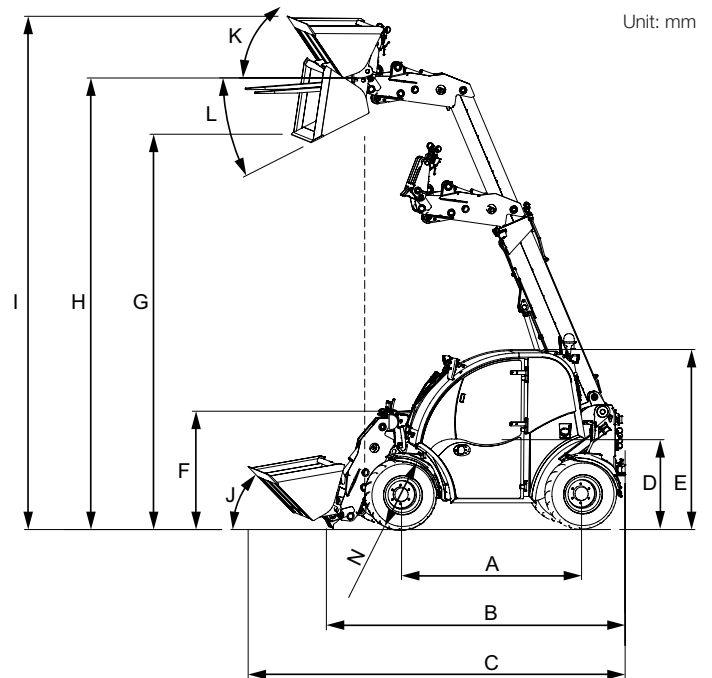
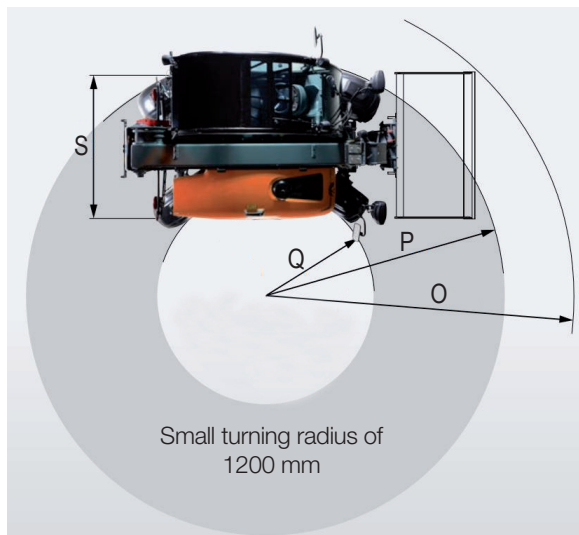
Model		KTH4815-2
Operating weight (with bucket)	kg	2950/3120
Engine		
Manufacturer		Kubota
Model		D1803 Stage V
Horse power (ISO9249)	kW	37
	PS	50
Number of cylinders		3
Displacement	cc	1826
Transmission		
Type		Hydrostatic with automotive control
Load		
Lifting capacity		See diagram
Proportional Load Moment Protection (EN 15000)		
Travelling		
Tyre size		31x15.5,5-15 SKID
Travelling speed	km/h	0-7 0-25
Steering		4 wheel steer
Auxiliary oil flow	l/min	51
Auxiliary oil pressure	bar	230
Noise level		
Sound pressure level (LpA)(canopy/cabin)	dB (A)	≤101
Sound power level (LwA (2000/14/EC))	dB (A)	≤101
Hand arm system vibration	m/s ²	≤2,5
Whole body vibration	m/s ²	≤2,5
Capacity		
Fuel tank	l	38
Hydraulic oil tank	l	75

Dimensions

Machine dimensions*

Model	KTH4815-2	
A Wheel base	mm	1950
B Overall length without bucket	mm	3135
C Overall length with bucket	mm	3850
D Seat height	mm	950
E Overall height	mm	1970
F Front frame height	mm	1270
G Dumping height	mm	4100
H Max. height at hinge pin	mm	4800
I Max. lifting height at bucket	mm	5500
J Roll back angle at ground level	°	45
K Roll back angle at max. height	°	51
L Dumping angle	°	33
N Diameter of standard wheel	°	780
O Turning radius with bucket	mm	3400
P Turning radius (outer wheel)	mm	2700
Q Turning radius (inner wheel)	mm	1200
S Overall width	mm	1600

*The data have been measured on the standard version. Specifications are subjects to be changed without notice.

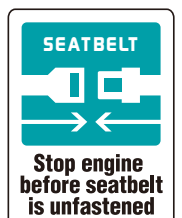


Unit: mm

★ All images shown are for brochure purposes only.
When operating the Compact Telehandler, wear clothing and equipment in accordance to local legal and safety regulations.

KUBOTA (U.K.) Limited

Dormer Road Thame
Oxfordshire OX9 3UN
Telephone: 01844 268000
www.kubota.co.uk



W21PS03394 & KTP:269.EN - 2024-03-10