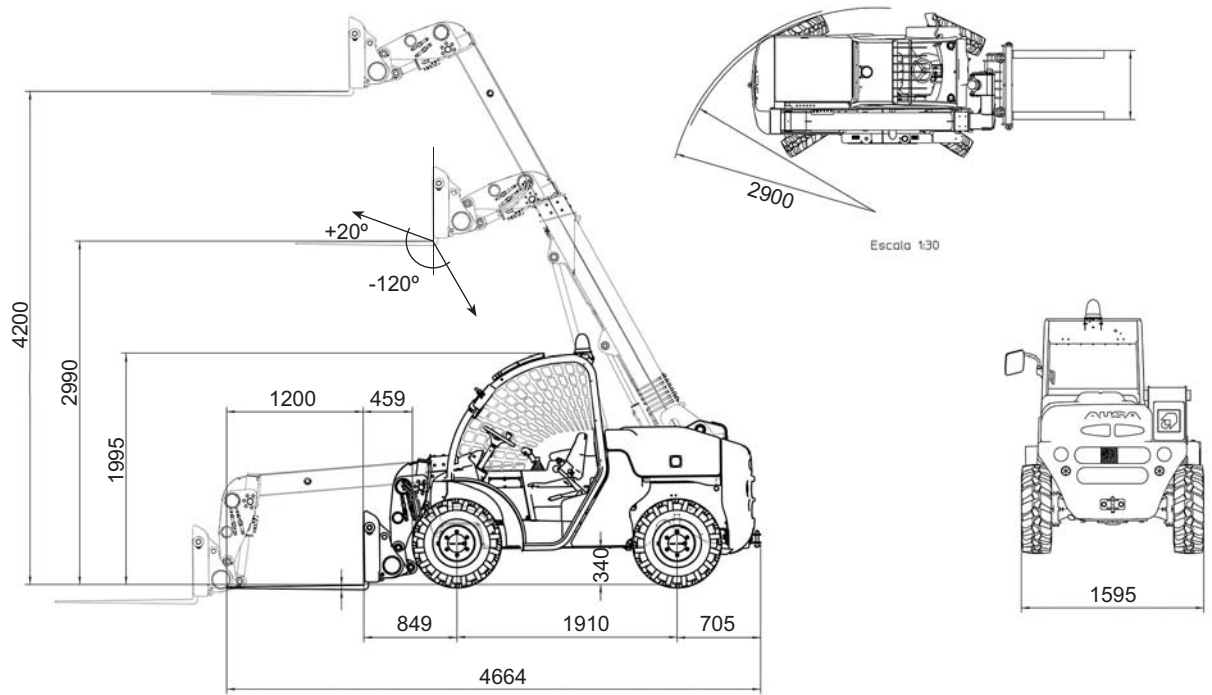




TAURULIFT T 204 H

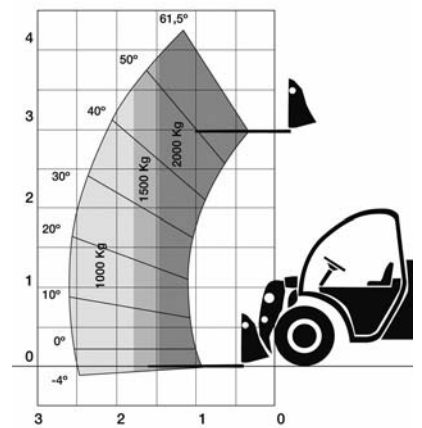


T 204 H_2000 Kg



TECHNICAL SPECIFICATIONS

		T 204 H
Load capacity (Kg)	Max. load	2000
	Load at max. height	2000
Lifting height (mm)	Maximum lifting height	4200
	Maximum lifting height at max. load	4200
Reach	Max reach (mm)	2598
	Capacity at max reach (Kg)	1000
Engine	Diesel	KUBOTA V2403
	Power acc./DIN 6270 B (KW/HP)	36.5 / 49.6 (2600 rpm)
	Power acc./DIN 70020 (KW/HP)	39.7 / 53.9 (2600 rpm)
	N° of cylinders	4
	Cooling system	Water
Traction		4x4 permanent
Transmission		Hydrostatic 2 gears. Electric gear inverter.
Engine starting system		Electric
Speed (Maximum) (Km/h)		24
Unladen weight (Kg)		4050
Gradient negotiable (with full load)		50 %
Hydraulic circuit		24 cc. gear pump. Working pressure 240 bar.
Tyres	Front	10 / 75-15.3 (14 PR)
	Rear	10 / 75-15.3 (14 PR)
External turning circle (mm)		2900
Steering		Hydraulic front wheel steer / all wheel steer / crab steer
Tank capacity (l)	Fuel	65
	Hydraulic fluid	70
Service brake		Disc
Parking brake		Mecanical at the same disk caliper



STANDARD EQUIPMENT

Homologated FOPS-ROPS cabin
Antivandalic system
Adjustable ergonomic seat
Seat belt
Rear view mirror
Rotating beacon
Audible reverse warning
Hydraulic quick hitch
Tilting cabin for service
Passive security system

OPTIONAL EQUIPMENT

Semi-closed cabin / Full cabin with heater
Air conditioning
Wide tyres 12 x 16,5
Lighting equipment
Working light
500 l. hydraulic bucket
Multi-Tach hydraulic system

AUSA reserves the right to make any changes in the specifications without prior notice.